



Continuous Vacuum Stuffer RS 105

SUPERIOR STUFFED PRODUCT:

The rotary vane transport system does not tumble or overwork the product and eliminates smearing.

ADVANCED TECHNOLOGY:

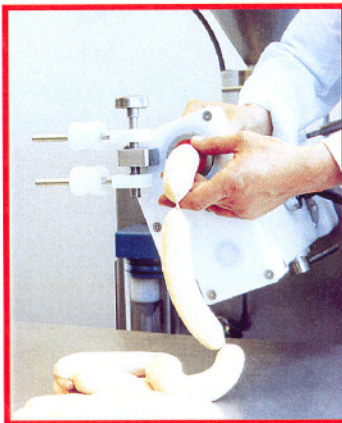
The operating functions of the machine are controlled by a microprocessor with 99 memory programs that memorize production program parameters including machine speed and vacuum. The functions are regulated on a digital display.

SUPERIOR ENGINEERING:

Strong stainless steel construction inside and outside. The waterproof IP65 electrical box protects all electronic controls. RISCO construction quality conforms to all USDA and CE norms.



RS 105
with RS 250/150



The RISCO RS 250 / 150 Twist-linker and Automatic Hand works very good with both natural and collagen casing.

Other options include the SR2 Casing Spinner, RS56 Double horn and an Electric coupling for clipper.

**5 YEAR WARRANTY ON ALL STAINLESS STEEL COMPONENTS OF
THE RISCO MEAT STUFFING PUMP**



Divided hopper for better cleaning and working operation

MINIMUM MAINTENANCE:

There are no metal-to-metal wear parts, greatly reducing the wear of stuffing pump components. This feature eliminates costly rebuilding and down time.

PORTIONING:

The electronic control system and programmable microprocessor guarantee fast and accurate portioning.

Greater product excellence with the unique Risco Long Life Vane Product Pump



VANE SYSTEM:

The RISCO vane pump ensures exceptional stuffing quality. The automatic compensation system maintains constant portioning accuracy while the absence of metal-to-metal contact reduces the wear of mechanical components.

Technical Data

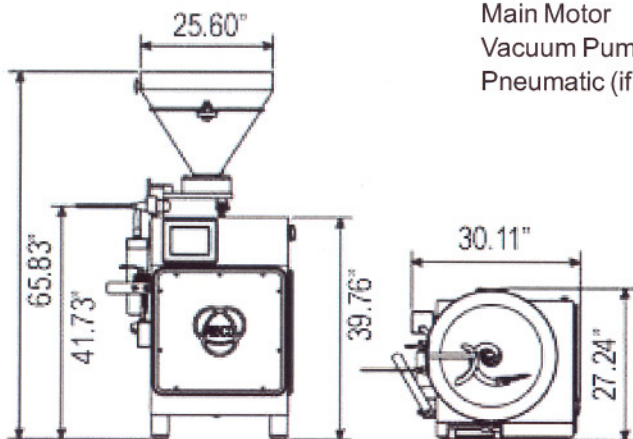
Hopper Capacity
 Optional Larger Hopper
 Weight of portions
 Filling Capacity
 Portioning Speed

RS 105

Lbs 120
 Lbs 300
 5 g. - 10,000 g.
 lbs./h 4950
 25 g. approx. 300 port./min.
 50 g. approx. 265 port./min.
 100 g. approx. 200 port./min.
 200 g. approx. 140 port./min.

Weight
 Main Motor
 Vacuum Pump Motor
 Pneumatic (if required)

lbs. 860
 Kw 3
 Kw 0,75
 psi. 90



Risco USA Corporation
 60 Bristol Drive, P.O. Box 198, So.Easton, MA 02375
 Toll Free: 888-4RISCOS (474-7267) Fax: 508-230-5345
 Email: info@riscousa.com Website: www.riscousa.com